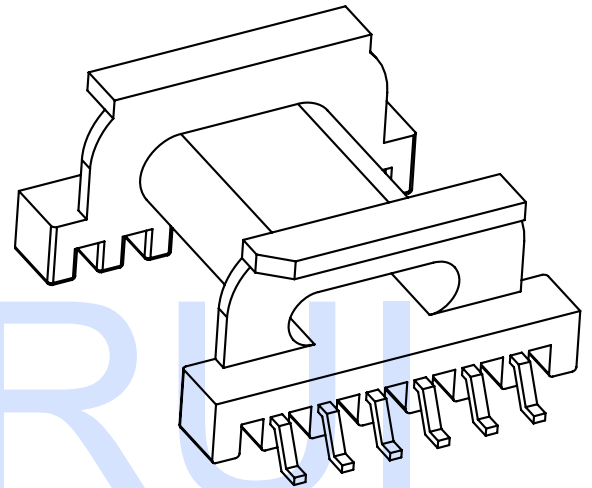
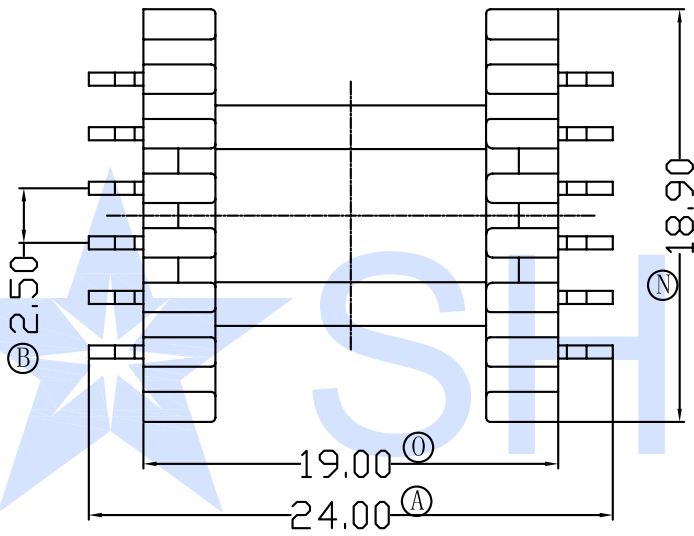
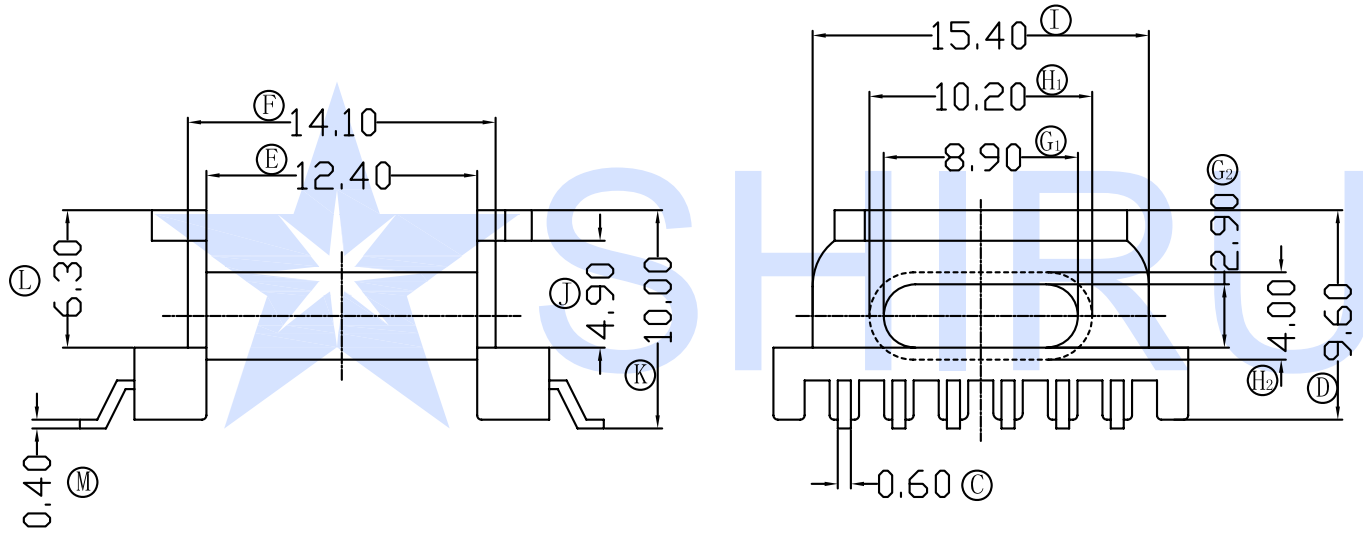
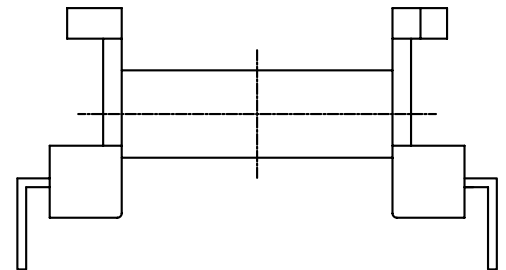


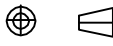
P/N
SR-SMD EPC1901



SR-SMD-EPC1901-1



SHIRUI Hefei Shirui Electronic Technology Co.,Ltd
 TEL: (0086) 55165232650 sales@shiruitech.com www.shiruitech.com

SR NO. SR-SMD EPC1901	MATERIAL: LCP-E4008	UNIT: mm	DRN.	WILL H
MODEL NAME! SMD-EPC19-12P-1S	UL REC: UL 94V-0	TOLERANCE	CHD.	IRINA LEE
	ANGLE: \pm°  SCALE 1:1	0 L 4 ± 0.10 4 L 16 ± 0.20 16 L 64 ± 0.30 PIN PITCH ± 0.05	ISSD.	JAMES HU